

IF IN DOUBT ASK
DO NOT SCALE

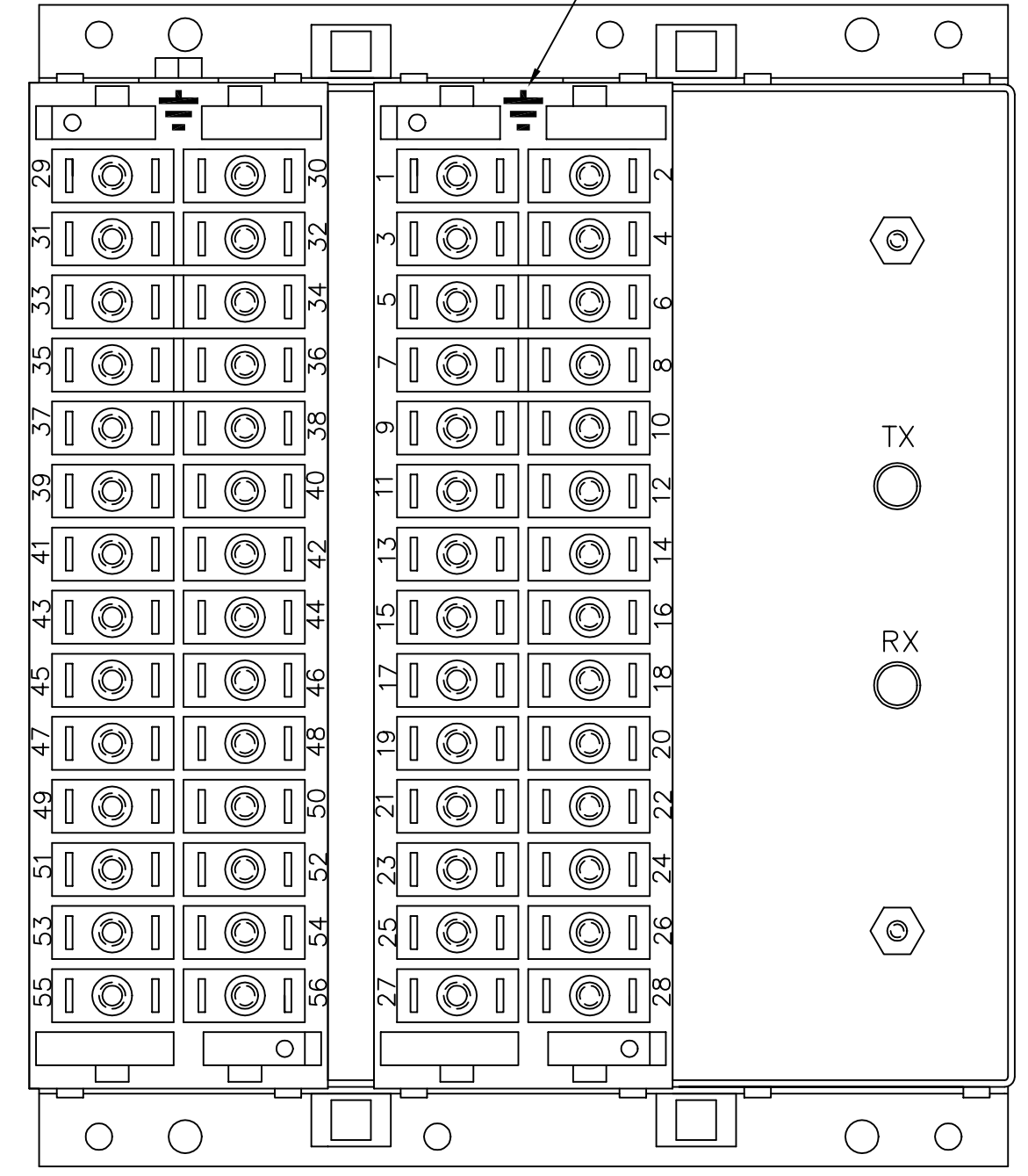
NOTES
 1 FOR R6 BOX ASSY SEE 2434H10002 (A1)
 2 TERMINALS RECOMMENDED ARE PRE INSULATED & MUST BE CRIMPED USING APPROVED TOOLING. AMP PIDG OR PLASTI GRIP FUNNEL ENTRY (RING TONGUE) FOR M4 FIXING STUD.

SUPPLIER	AMP	CABLE SIZE
AMP	342103	0.25-1.6 SQ MM
AMP	342143	1.0-2.6 SQ MM.

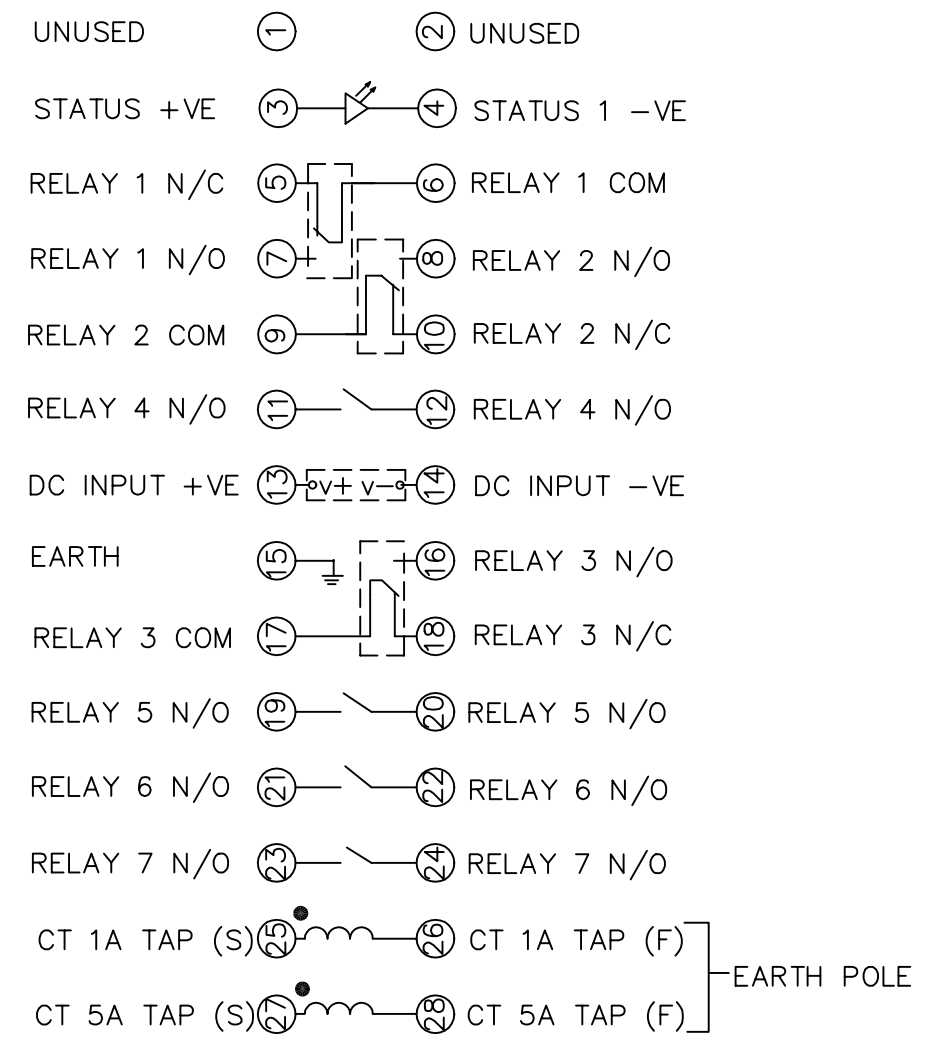
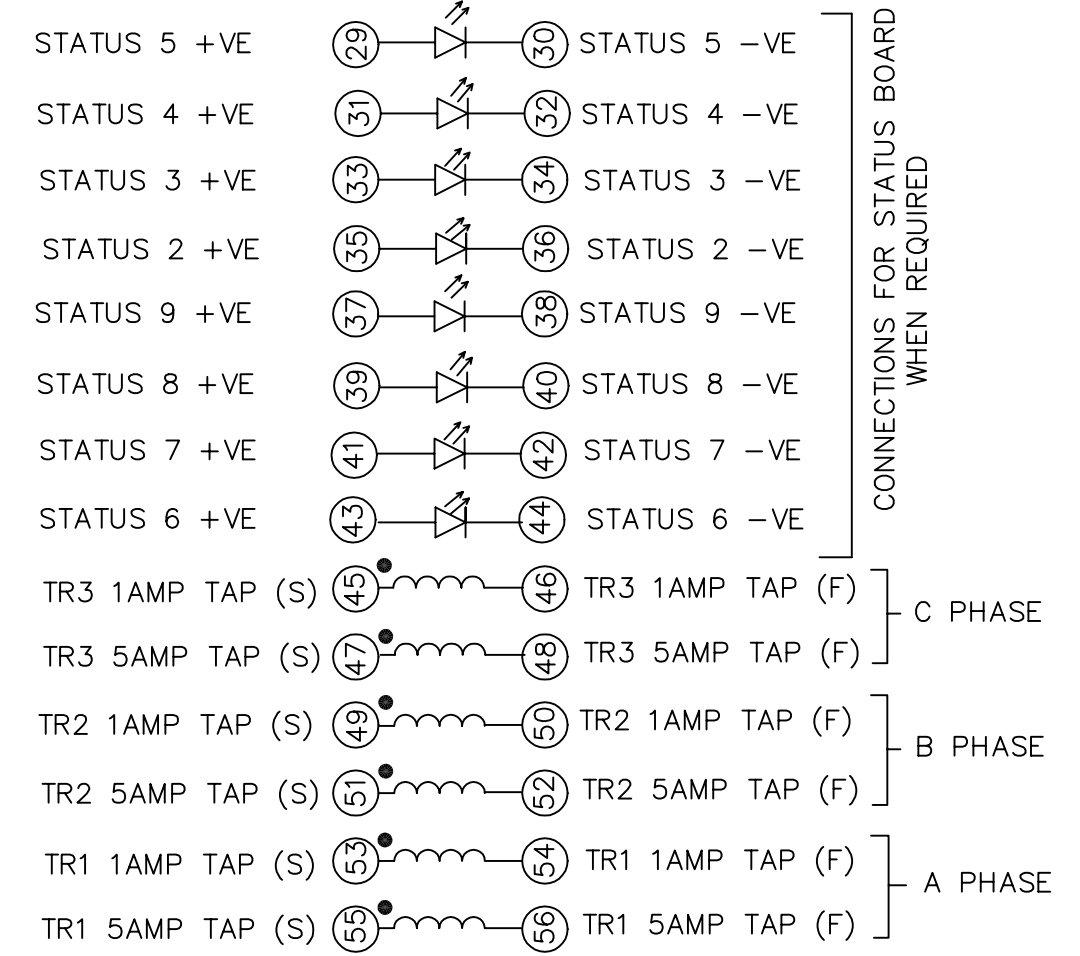
 OR ANY OTHER MANUFACTURERS EQUIVALENT TERMINAL.

3 FOR OUTLINE & DRILLING DRG SEE 2434X10001 (A4).
 4 EARTH SYMBOL TO BE BLANKED OUT ON CONNECTOR THAT DOES NOT HAVE EARTH SCREW FITTED

SEE NOTE 4



BOX VIEWED FROM REAR



NOT SUBJECT TO UPDATE
ONCE COPIED / PRINTED
OR DOWNLOADED

MATERIAL:		Copyright © 1999 Reyrolle Ltd.		1	26/7/99	CHANGE NOTED
Dimensions in millimetres ; Surface texture in micrometres. Machine where marked ✓ For explanation of dimensions, tolerances, notes etc. see B.S.308. Limit on untoleranced unmachined dimensions ± _____ Limits on untoleranced machined dimensions to B.S.4500; i.e. up to 6±0.1; over 30 to 120±0.3; over 315±0.8; over 6 to 30±0.2; over 120 to 315±0.5; General unmachined angular tolerance ± _____		Finish:	Title:	First used on:		
		Treatment:	TERMINAL IDENTIFICATION & RELAY WIRING DIAGRAM RH03 MOTOR PROTECTION RELAY (REYMOS R6 CASE)	Similar Articles: 2681W20002		
			Reyrolle Protection Hebburn.	Original Scale:	Supersedes:	
				1:1	Drg. No. 2681W20001	
DRAWN M LEASK	CHECKED	APPROVED R.D.WATSON	DATE 23/07/02	IE	OPS	PCP
					Purch.Spec.	TQ
					EAC	CE
					STD	A2